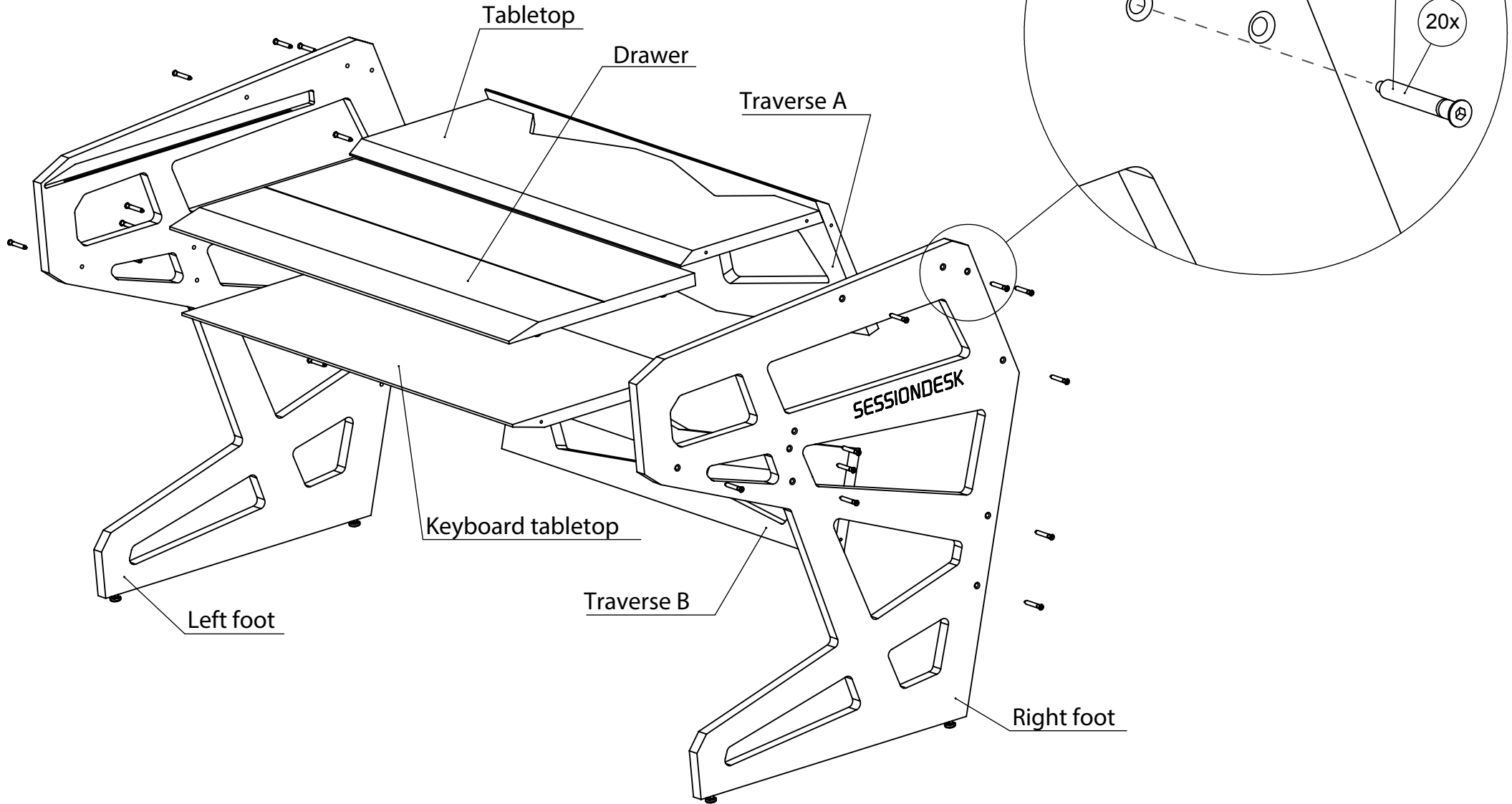


ASSEMBLY MANUAL
Producer Workstation - Air 1030



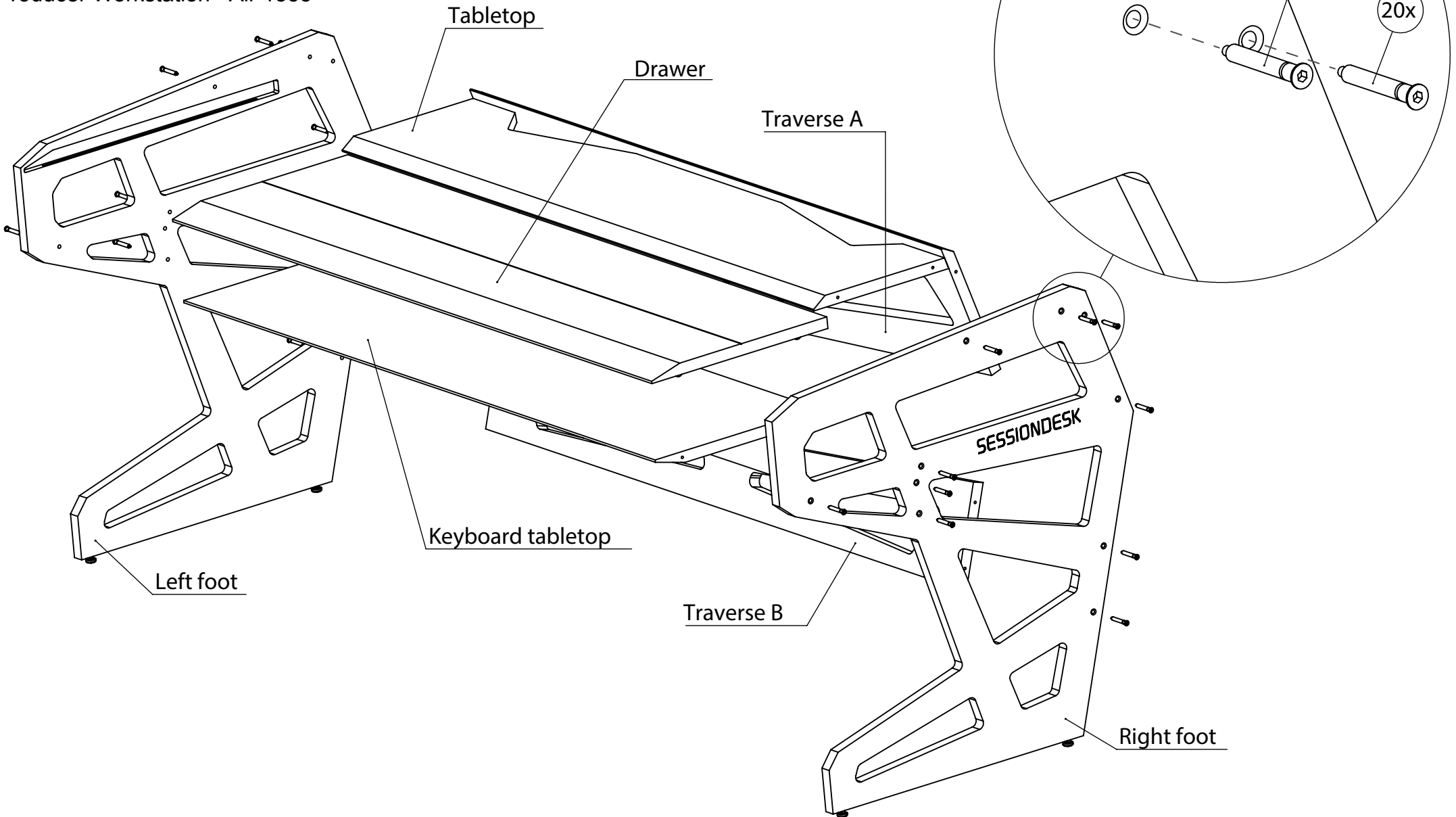
ASSEMBLY MANUAL
Producer Workstation - Air 1030



ASSEMBLY MANUAL
Producer Workstation - Air 1555



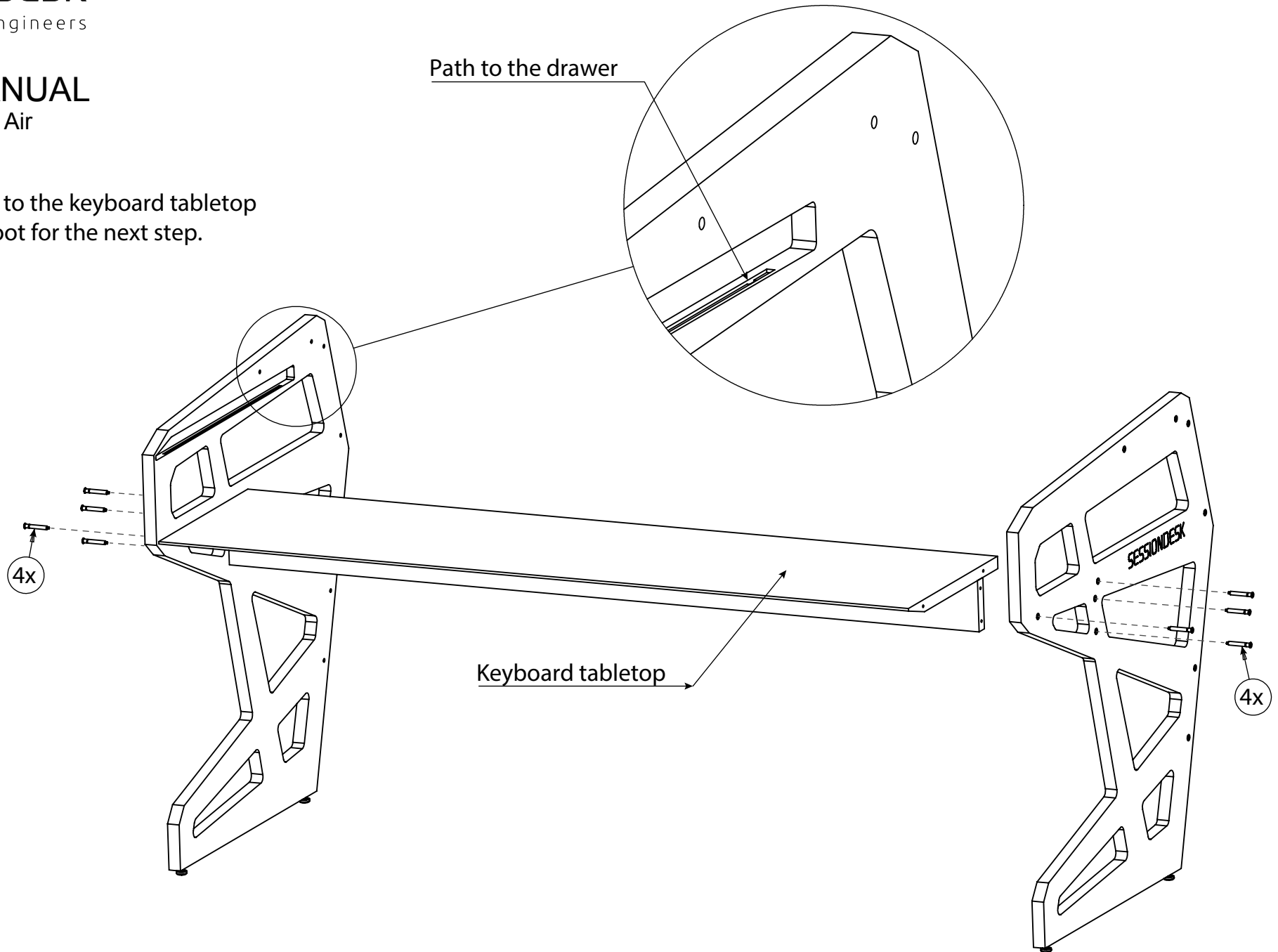
ASSEMBLY MANUAL
Producer Workstation - Air 1555



ASSEMBLY MANUAL

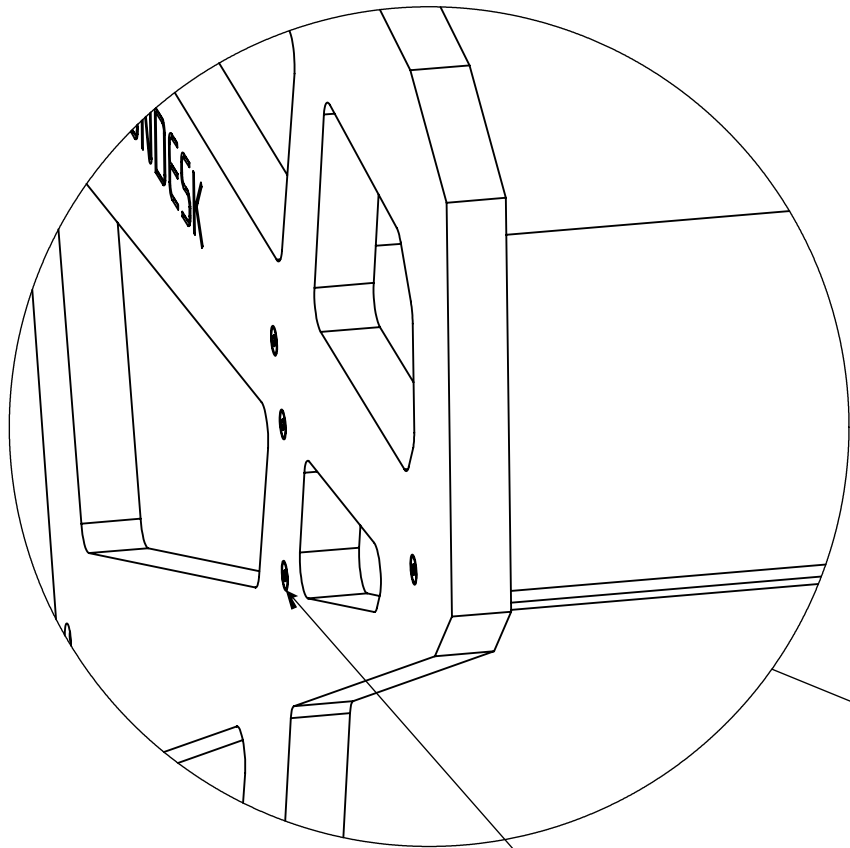
Producer Workstation - Air

First, screw the left foot to the keyboard tabletop and prepare the right foot for the next step.



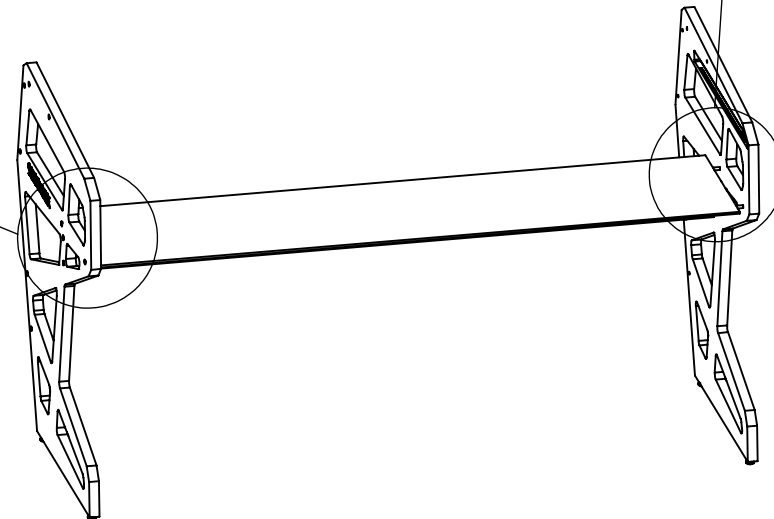
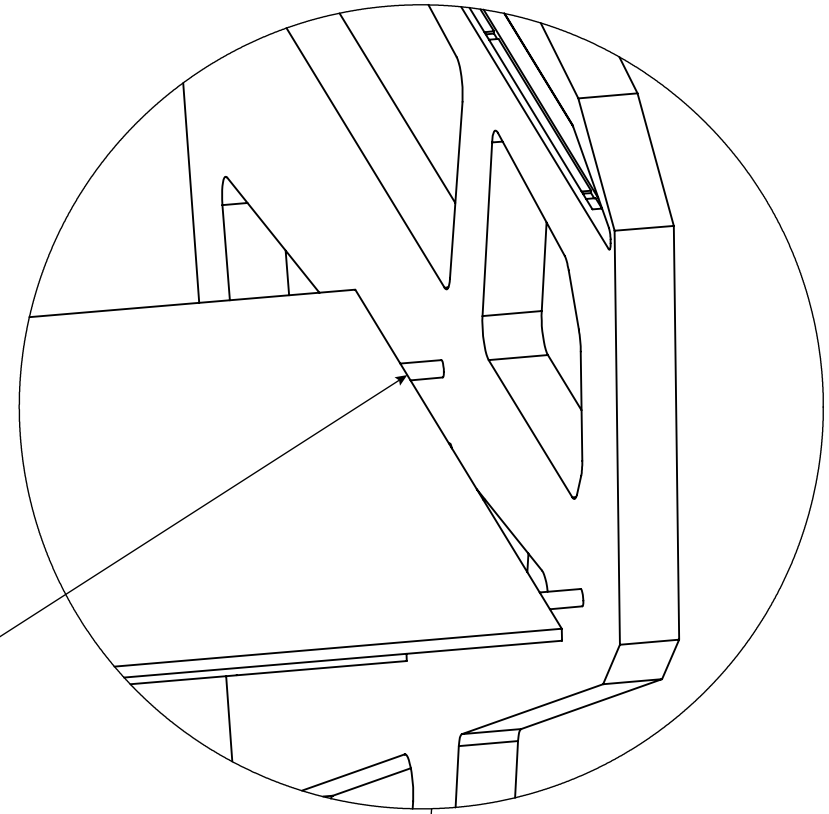
ASSEMBLY MANUAL

Producer Workstation - Air



It's important to tighten the screws all the way

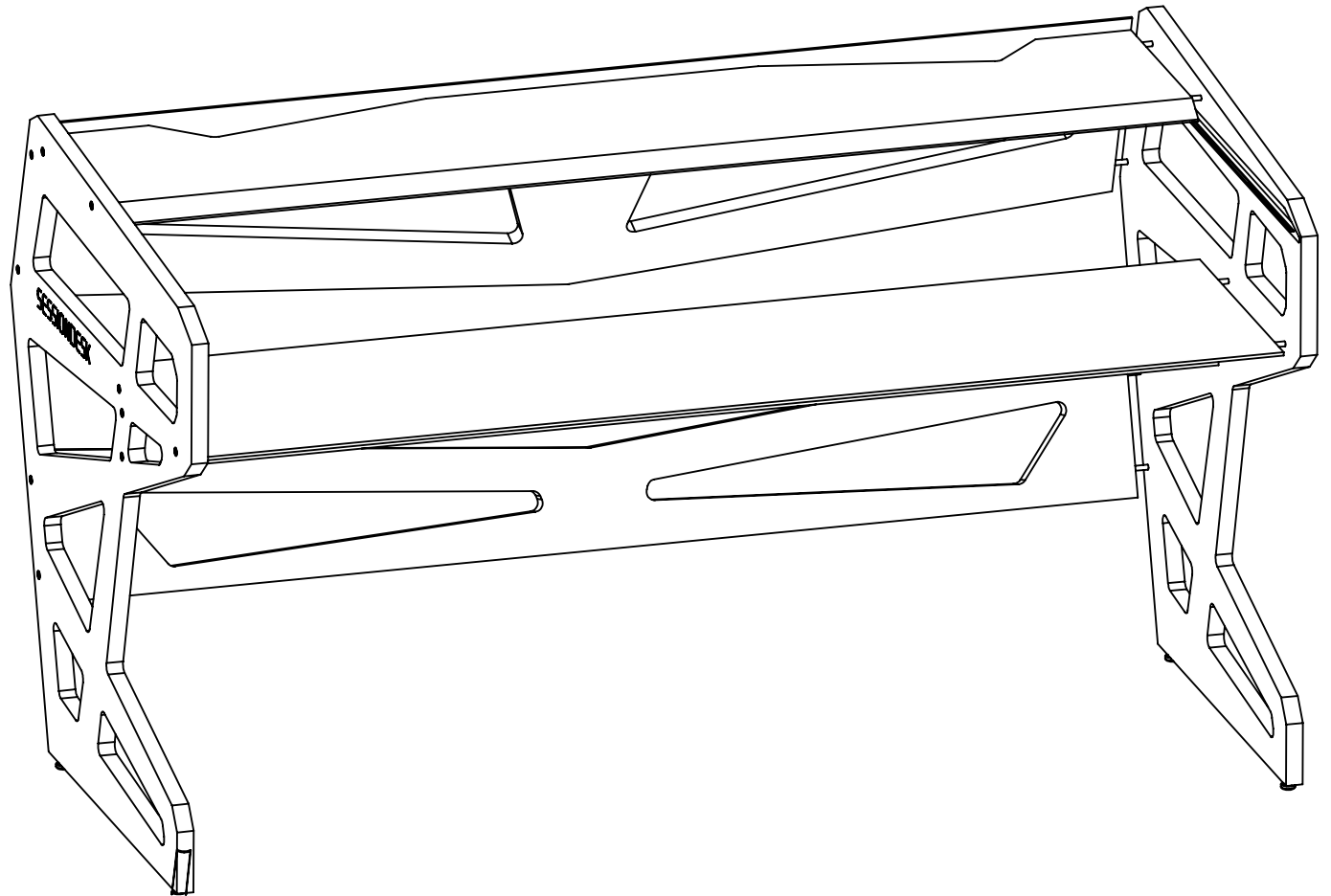
Then, join the right foot to the keyboard tabletop and tighten only the screw tip, leaving an opening between them.



ASSEMBLY MANUAL

Producer Workstation - Air

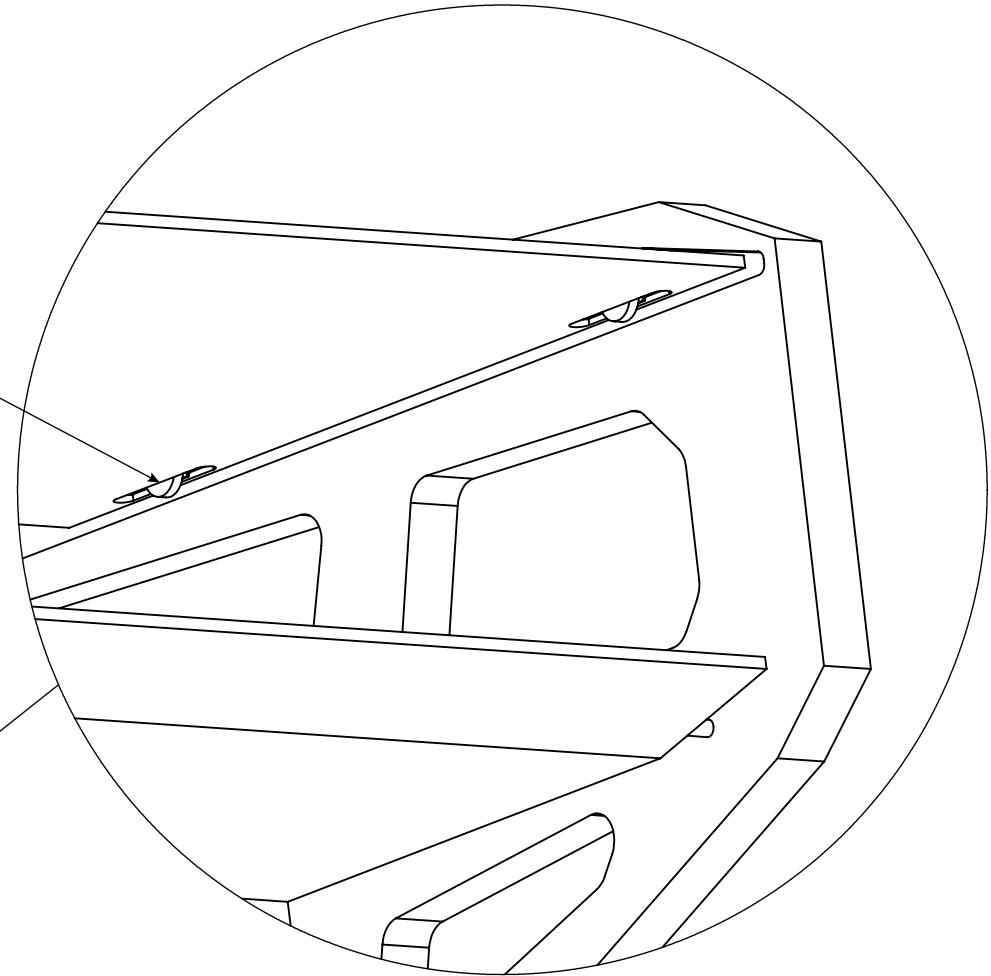
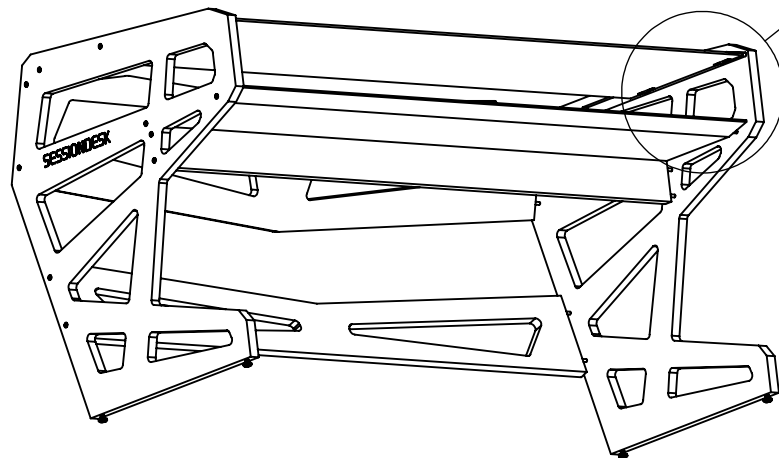
After that, join the other parts together and tighten the screws like in the step before.
Leave the drawer for the next step.



ASSEMBLY MANUAL

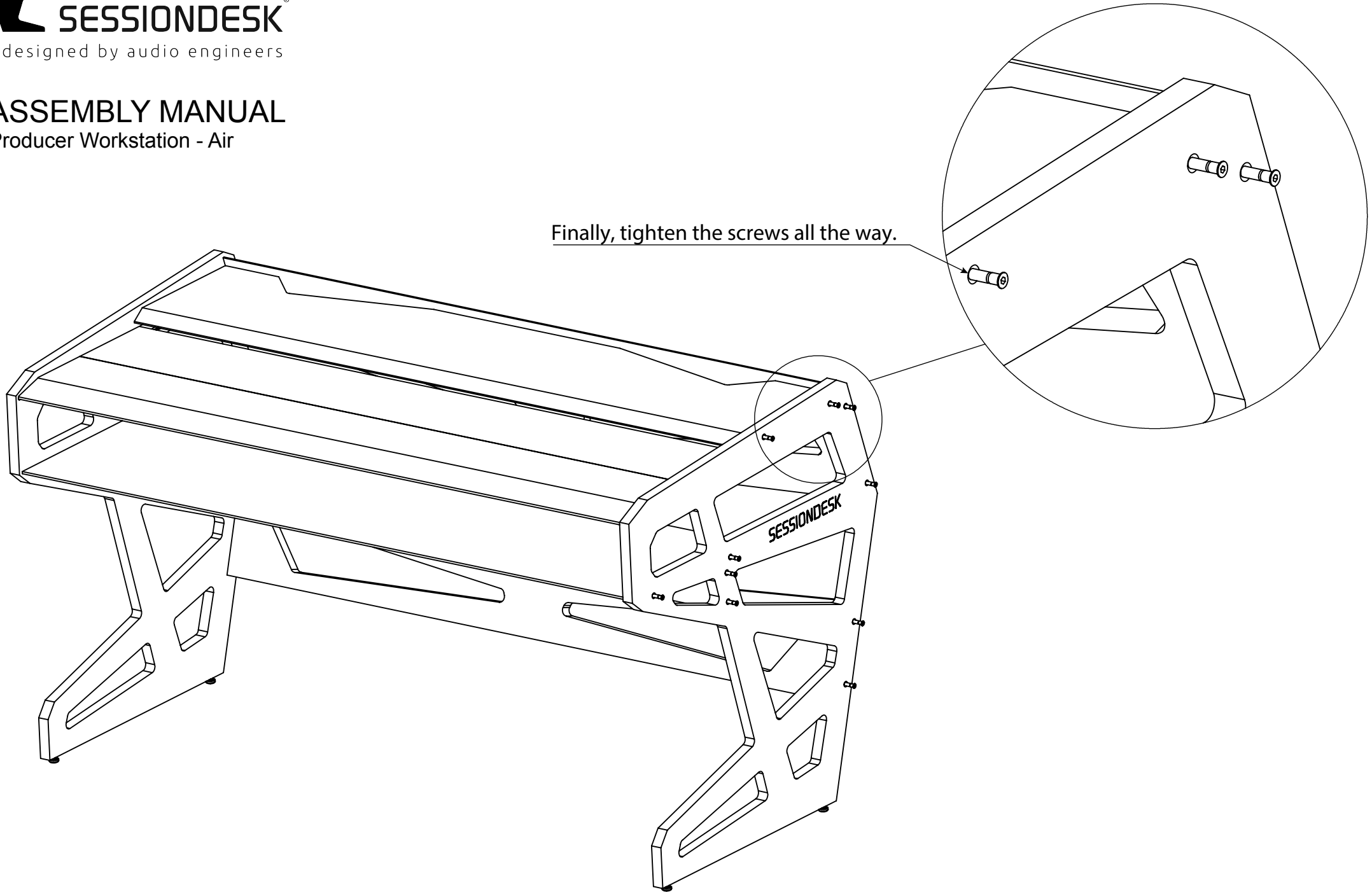
Producer Workstation - Air

Now, you can mount the drawer
in place by fitting the casters
into the paths.
First on the left side, then the right foot.



ASSEMBLY MANUAL

Producer Workstation - Air



Finally, tighten the screws all the way.